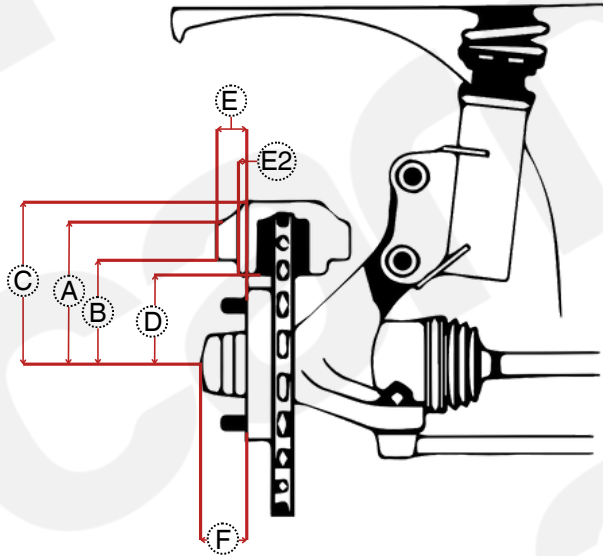
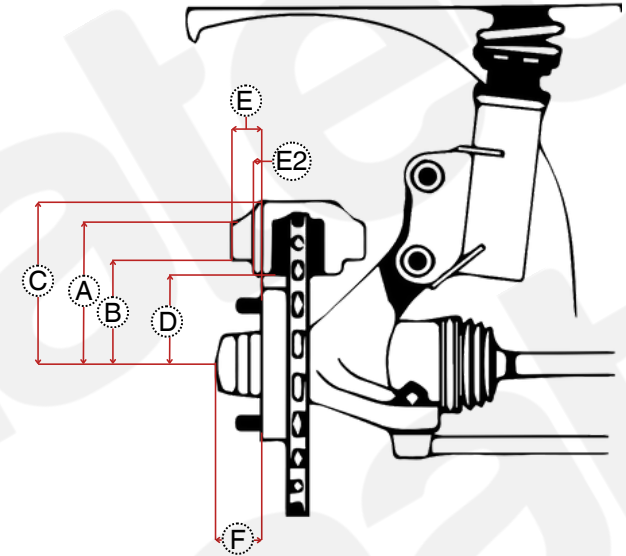


BRAKE CALLIPER MEASUREMENT SHEET

FRONT:



REAR:



A: Distance between hub centre point to far end edge of outward face of calliper.

B: Distance between hub centre point to near edge of outward face of calliper.

C: Distance between hub centre point to the top edge of calliper.

D: Distance between hub centre point to bottom edge of calliper.

E: Distance of the calliper over the hub mounting surface at 'B'.

E2: Distance of calliper over the hub mounting surface at 'D'.

F: Protrusion of drive shaft over hub mounting surface.

FRONT:

A:	
B:	
C:	
D:	
E:	
E2:	
F:	

REAR:

A:	
B:	
C:	
D:	
E:	
E2:	
F:	